



406MHz SATELLITE EPIRB

Emergency Position Indicating Radio Beacon

JQE-103



Designed in compliance with the carriage requirements for the GMDSS



- 406MHz for Satellite, 121.5MHz for Homing
- Compact and lightweight
- Easy installation and flexible mounting
- High reliability design
- MED type approval



Japan Radio Co., Ltd.

JQE-103

● General Specifications

Antenna	
· Polarization	Vertical whip
· VSWR	1.5 or less
· Impedance	50 Ω
Battery	
· Type	Li/MnO ₂
· Voltage	8.4V (Term of validity:5 years)
Release Sensor	Made by Hammar (Term of validity:2 years)
Activation	Automatic and manual
Deactivation	Set 'Select Switch'to 'READY'. and pick up the beacon unit from sea water.
Operating	48 hours (or more)
Temperature	Operating -20 deg C ~ +55 deg C Storage -30 deg C ~ +70 deg C
Beacon Unit	Dimension 529(H)×120(W)×116(D)mm Mass 1.3kg Approx.
Automatic Release Unit	Dimension 585(H)×175(W)×116(D) mm Mass 2.9kg Approx

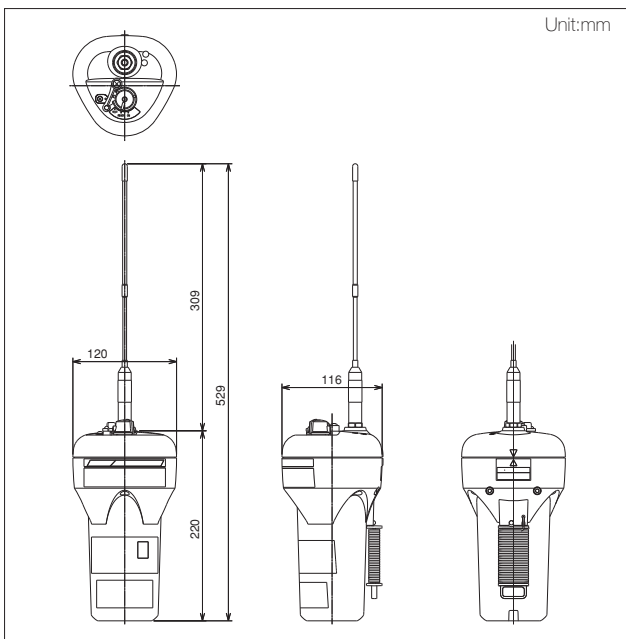
● 406.028MHz Specifications

Frequency	406.028MHz ±2kHz
Stability	
· Short Term	2 × 10 ⁻⁹ / 100msec
· Medium Term	
Average	±1 × 10 ⁻⁹ / min
Residual	3 × 10 ⁻⁹
Output Power	5W ±2dB
Modulation	Phase Modulation, ±1.1 ±0.1 radian
Data Encoding	Bi-L
Sweep Timing	50sec±5% (Randomization)
TX Time	440ms ±1%
Baud Rate	400bps ±1%

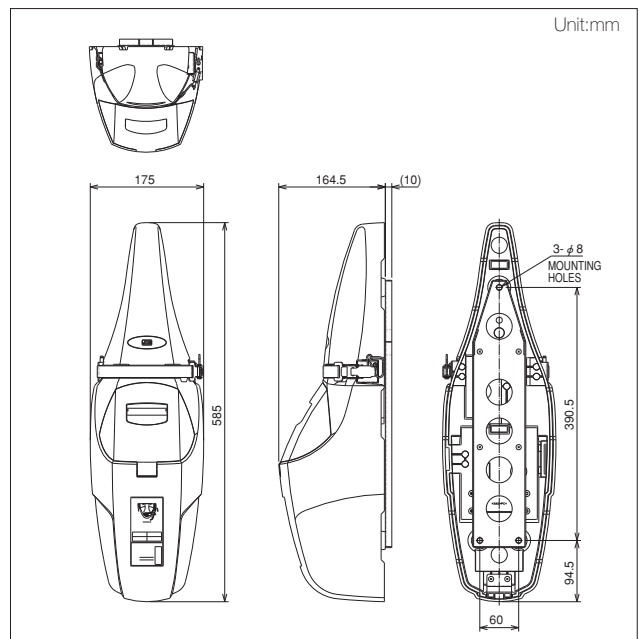
● 121.5MHz Specifications

Frequency	121.5MHz ±6.075kHz
Output Power	50mW ±3dB
Modulation	AM
Sweep Tone	300Hz ~1600Hz
Sweep Rate	2Hz ~4Hz

● Beacon Unit Outline



● Automatic Release Unit Outline



● Specifications may be subject to change without notice.

For further information, contact:



Since 1915

Japan Radio Co., Ltd.

URL <http://www.jrc.co.jp/eng/>

Main Office: Fujisawa bldg. 30-16, Ogikubo 4-chome
Suginami-ku, Tokyo 167-8540, Japan
Telephone: +81-3-6832-1816
Facsimile: +81-3-6832-1845

Overseas Branches : Seattle, Amsterdam, Athens, Manila
Liaison Offices : Taipei, Jakarta, Singapore, Hanoi,
Shanghai, Hamburg, New York