

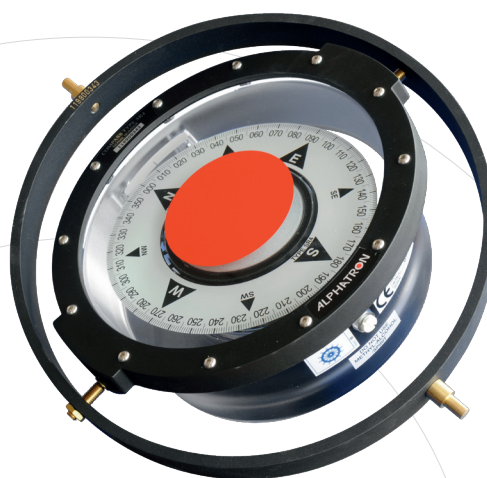
ALPHABINNACLE H

Historical technology into a state of the art design

Type approved to the European Marine Equipment Directive (MED), Chinese Classification Society and other Maritime Authorities

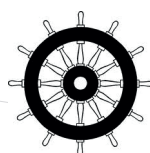
MAGNETIC COMPASS OUTFIT

For commercial vessels over 150GT, fishing vessels over 35m and naval vessels with or without DG correction. Suitable for use with Alpatron and other Transmitting Magnetic compass (TMC) equipment to operate repeaters, off-course alarms and outputs to navigation equipment including gyro back up.



DESIGN FEATURES

- Reduced shipyard installation work
- Improved watertightness around deck/periscope area
- Simple periscope assembly installation and removal
- Low voltage lighting within the binnacle
- Mounting arrangements for various TMC sensors
- No brass material for compass
- Lightweight



0062/12

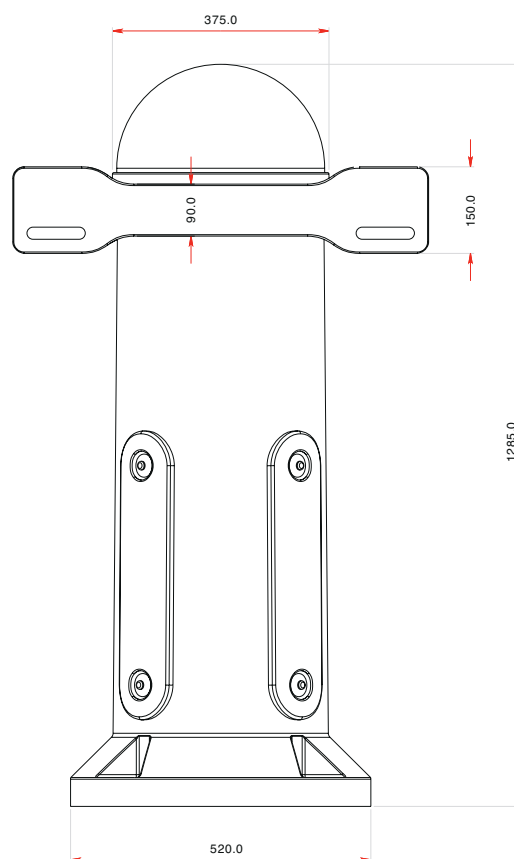
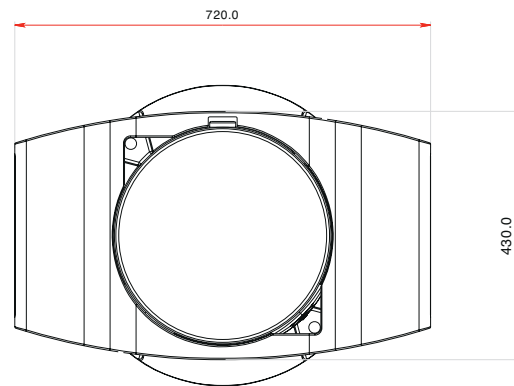
Alpatron Marine BV
Schaardijk 23 • Harbour 115
3063 NH Rotterdam
The Netherlands

Tel: +31 (0)10 4534000
Fax: +31 (0)10 4529214
E-mail: deepsea@alpatronmarine.com

ALPHATRON
WWW.ALPHATRONMARINE.COM

The compass outfit is available in Reflector, Non-Reflector and Naval (DG Correction) versions with the following features

Material	Reinforced glassfibre binnacle	
Correction	A full set of compensating magnets for B, C and H	
	Plus adequate quadrantal corrector and flinders plates	
Periscope	Telescopic with a maximum vertical length of two metres	
Fixings	Rubber base gasket and four S/S M20x90 mounting bolts, nuts and washers	
Lighting	Two 24VDC 15w lamps and one spare fitted within the binnacle	
	A two position dimmer switch is also fitted within the binnacle for local control	
Compass	SR4, Class A, 175mm Reflector Card	
Azimuth Mirror	Azimuth Reading Device Group 1 Type, Azimuth Mirror/Circle, is supplied in a hardwood storage box	
Weights	Reflector Binnacle	35kg
	Non-Reflector Binnacle	30kg
	SR4 Compass	6.5kg
	Lighting Control Unit	0.62kg
	Azimuth in box	1.45kg
Colour	Binnacle white, Periscope Assembly, Black	



TMC SYSTEMS BASIC CONFIGURATION

Main unit
Sensor
Junction box

STANDARD FEATURES INCLUDING

- Deviation correction
- Power recognition volt free relay contacts
- LCD Display
- Heading data fail alarm
- 24 VDC
- 2x offered NMEA outputs Vers 2.30

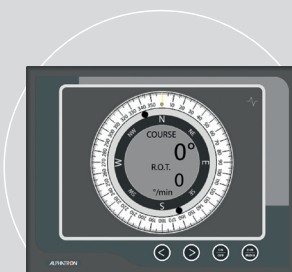


Alphacourse MFD

OPTIONS TMC REPEATERS



Alphaline MF



Alphaline MFC TS